



# **Esbit®**



## **ESBIT Compagnie GmbH**

Phone.....+49 (0)40 - 853 106 50  
Fax.....+49 (0)40 - 850 91 84  
E-Mail.....export@esbit.de  
Internet.....www.esbit.de

OFFICE:  
Marlowring 21  
ADOLA-Haus  
22525 Hamburg  
Germany



## ESBIT Compagnie GmbH

Esbit Compagnie GmbH was founded in 1949 by Adolf Langeloh (exporter) and Erich Schumm (the inventor of Esbit solid fuel) for export purposes. The company has since distributed solid fuel tablets from Hamburg all over the world. Fritz Paap and Adolf Langeloh were the company's first managing directors. In 1999, Adolf Langeloh's interest in the company was acquired by the Paap family, thus now sole owner of Esbit Compagnie GmbH.

It has now been run as a family-owned company in the third generation, and in 2003 Dieter Paap handed over the management of the company to his son Philip.



Erich Schumm  
1907-1979

## World's No. 1 Solid Fuel

Esbit products have proved themselves even under the most extreme weather conditions as a source of energy that takes up a minimum of space. Esbit has gained particular importance for the emergency ration supply of the population, as stored-up energy, and security in cases of electricity and gas outages. When natural catastrophes occur (e. g. earthquakes, flooding), the international aid organizations and the armed forces are often the only sources of supply of food for the civil population. Our products can offer valuable support as sources of heat and energy in these situations. Esbit has become indispensable as part of soldiers standard equipment or as a component of ration packs

to armed forces and non-governmental organizations throughout the world.

In addition, Esbit is also successfully used in a variety of outdoor and leisure activities like camping, hiking or mountain climbing and for powering Wilesco toy steam engines as well as other brands.



### Facts

- ▶ Why is Esbit called ESBIT?  
Erich Schumm Brennstoff In Tabletten  
(engl. Erich Schumm fuel in tablets)
- ▶ Erich Schumm, inventor of hexamine solid fuel in form of tablets.
- ▶ Esbit was invented in Murrhardt, Germany, in 1932.





## Research and Development

Research and constant innovation ensure that Esbit Compagnie continues to offer new products to all their clients world-wide.

Our knowledge and experience also make it possible to provide you with market insight, technical expertise and product development know-how. Our group of companies has been developing its knowledge in the field of solid fuel and cooking systems for more than 70 years.

The practical solutions help you to improve and enhance existing products, or create completely new ones, with great efficiency and cost effectiveness. Take advantage of the expertise of one of the world's leading solid fuel specialists.



## Properties

- ▶ Non-explosive.
- ▶ Does not liquify when burning.
- ▶ Ignites with match or lighter.
- ▶ No sparks.
- ▶ Strong heating output.
- ▶ Leaves almost no ash after burning.
- ▶ No visible smoke.
- ▶ Lightweight and compact.
- ▶ When properly stored, Esbit solid fuel maintains its full functionality for many years.
- ▶ **Safety and Handling:** Material Safety Data Sheet (MSDS) is available on request.

Depending upon the initial temperature and what tin is used, one 8 g tablet will bring to the boil 250 ml of water in 7 minutes.



solid fuel tablets with waterresistant blister-pack.



Water-resistant



Printable blister pack

## Technical Data - fuel tablets

Substance	Hexamethylenetetramine
UN No.	1328
Calorific Value	31.300 KJ/kg
Colour	white
Country of Origin	Federal Republic of Germany
Certificate	ISO 9001:2000



CREATIVE SOLUTIONS

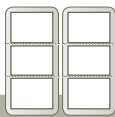


**Why not ask for an offer!?**

Besides our standard Esbit packaging, all folding boxes, paper enclosures and the aluminium foil may be printed individually according to your wishes. On your request, they will bear operating instructions, diagrams and risk and safety instructions in your country's language and pursuant to applicable law.



HEATING KIT



6 x 8 g

Art. No.: 002 600 00

HEATING KIT  
IN TRANSPARENT PE BAG  
(RECLOSABLE)

**COOKER**  
galvanized steel cooker,  
pliable - multiple use -

**FUEL**  
2 bars of 3 fuel tablets (total 6 x 8 g)  
blister-packed  
(Optional 10 g, 12 g or 14 g solid fuel tablets)

**PAPER INLAY**  
2-coloured paper inlay.  
Text available: Arabic, English, French, German,  
Italian, Spanish, Portuguese

ART. NO.: 002 600 00



blister-packed

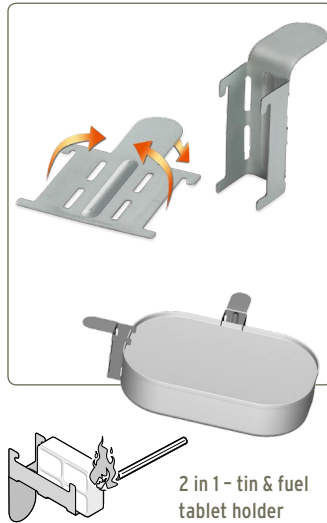
Optional



Matchbox (20 matches)  
different colours available



Wind and Waterproof sachets  
of 10 matches incl. striker board



2 in 1 - tin & fuel  
tablet holder



5L PE bin liner (0,025 mm) with strap



Water purifying tablets,  
sodium dichloroisocyanurate (NA DCC)  
3,5 mg or 8,5 mg

... or whatever you desire.

KEY



Lightweight



Water-resistant



Burning time  
approx. minutes  
per tablet



Compact



Printable  
blister pack



NATO-  
approved



HEATING KIT



6 x 8 g

Art. No.: 002 008 00

HEATING KIT  
IN CARTON BOX

COOKER

galvanized steel cooker,  
pliable - multiple use -

FUEL

2 bars of 3 fuel tablets (total 6 x 8 g)  
blister-packed  
(Optional 10 g solid fuel tablets)

BOX

2-coloured carton box.  
Text available: Arabic, English, French, Spanish

ART. NO.: 002 008 00

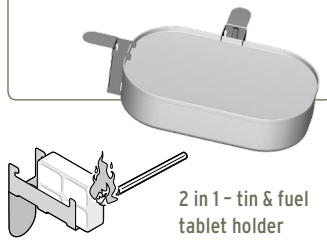
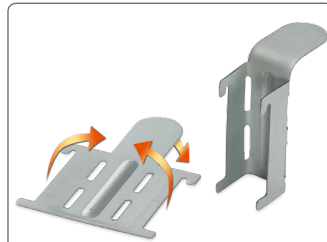


blister-packed

Optional



Matchbox (approx. 10 matches)



2 in 1 - tin & fuel  
tablet holder



5L PE bin liner (0,025 mm) with strap



Wind and Waterproof sachets  
of 10 matches incl. striker board



Water purifying tablets,  
sodium dichloroisocyanurate (NA DCC)  
3,5 mg or 8,5 mg

... or whatever you desire.

KEY



Lightweight



Water-resistant



Burning time  
approx. minutes  
per tablet



Compact



Printable  
blister pack



NATO-  
approved



MATCHES



Art. No.: 003 001 10

MATCHES

Wind and Waterproof sachets of 10 matches incl. striker board. 10 matches - burn time 10 sec each.

THE TRULY WEATHERPROOF MATCH

powerful and long burning, ideal for outdoor use.

These matches were developed to be used in all extremes of weather. They can withstand immersion in water and cannot be extinguished by wind.

ART. NO.: 003 001 10

KEY



Lightweight



Water-resistant



Burning time approx. minutes per tablet



Compact



Printable blister pack

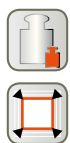
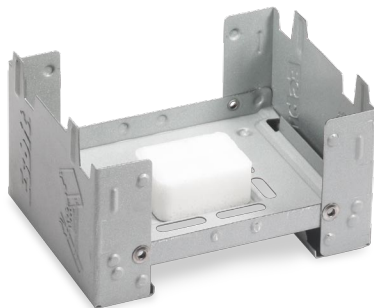


NATO-approved



## FOLDABLE COOKERS (EMPTY)

### SMALL



Art. No.: 002 080 00

### FOLDABLE COOKER - SMALL

**MATERIAL**  
galvanized steel

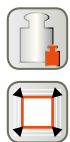
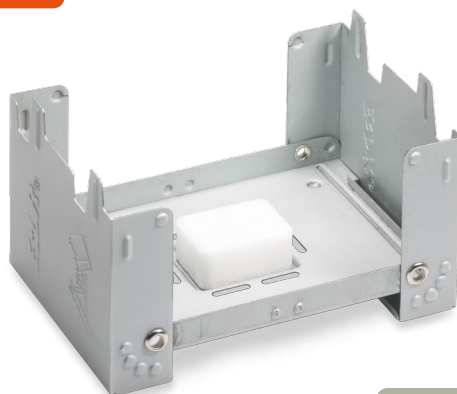
**SIZE**  
9,9 x 7,6 x 2,2 cm  
(3,9 x 2,99 x 0,87 inch)

**SETTINGS**  
2 settings, foldable  
(45°, 90°)

**ART. NO.:** 002 080 00



### MEDIUM



Art. No.: 002 085 00

### FOLDABLE COOKER - MEDIUM

**MATERIAL**  
galvanized steel

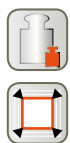
**SIZE**  
12,4 x 8,4 x 2,2 cm  
(4,88 x 3,31 x 0,87 inch)

**SETTINGS**  
3 settings, foldable  
(30°, 60°, 90°)

**ART. NO.:** 002 085 00



### LARGE



Art. No.: 002 810 00

### FOLDABLE COOKER - LARGE

**MATERIAL**  
galvanized steel

**SIZE**  
13 x 9,5 x 3,9 cm  
(5,12 x 3,74 x 1,54 inch)

**SETTINGS**  
3 settings, foldable  
(30°, 60°, 90°)

**ART. NO.:** 002 810 00



#### KEY



Lightweight



Water-resistant



Burning time  
approx. minutes  
per tablet



Compact



Printable  
blister pack



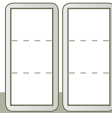
NATO-  
approved

# Esbit®



## FOLDABLE COOKERS INCL. FUEL TABLETS

### SMALL



6 x 14 g

Art. No.: 002 091 00

blister-packed



### FOLDABLE COOKER - SMALL INCL. FUEL TABLETS

**MATERIAL**  
galvanized steel

**WEIGHT**  
incl. fuel 175 g only

**SIZE**  
9,9 x 7,6 x 2,2 cm  
(3,9 x 2,99 x 0,87 inch)

**SETTINGS**  
2 settings, foldable  
(45°, 90°)

**FUEL**  
2 bars of 3 fuel tablets (total 6 x 14 g)  
blister-packed,  
burning time approx.  
12 minutes per tablet

**BOX**  
3-coloured carton box.  
Multilingual: English, French, German

**ART. NO.:** 002 091 00

**REFILLS**  
6 x 14 g  
**ART. NO.:** 001 121 00



### SMALL



20 x 4 g

Art. No.: 002 090 00



### FOLDABLE COOKER - SMALL INCL. FUEL TABLETS

**MATERIAL**  
galvanized steel

**WEIGHT**  
incl. fuel 165 g only

**SIZE**  
9,9 x 7,6 x 2,2 cm  
(3,9 x 2,99 x 0,87 inch)

**SETTINGS**  
2 settings, foldable  
(45°, 90°)

**FUEL**  
20 fuel tablets, 4 g each (total 20 x 4 g),  
burning time approx.  
5 minutes per tablet

**BOX**  
3-coloured carton box.  
Multilingual: English, French, German

**ART. NO.:** 002 090 00

**REFILLS**  
20 x 4 g  
**ART. NO.:** 001 020 00



### KEY



Lightweight



Water-resistant



Burning time  
approx. minutes  
per tablet



Compact



Printable  
blister pack



NATO-  
approved



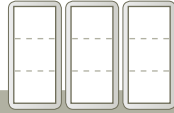
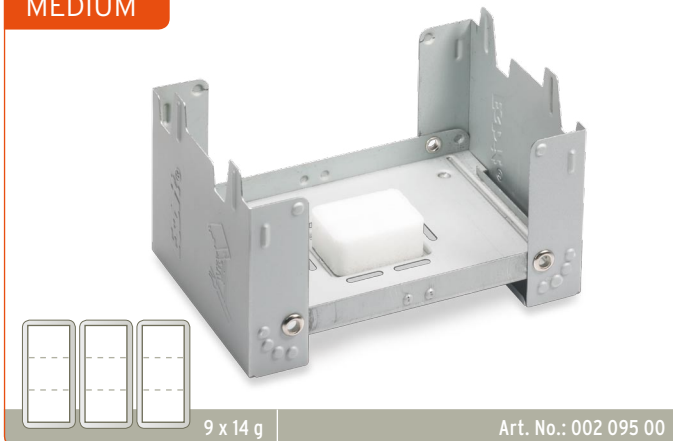
Both cookers  
optional with outer box

# Esbite®



## FOLDABLE COOKERS INCL. FUEL TABLETS

### MEDIUM



9 x 14 g

Art. No.: 002 095 00

blister-packed



### FOLDABLE COOKER - MEDIUM-SIZE INCL. FUEL TABLETS

**MATERIAL**  
galvanized steel

**WEIGHT**  
incl. fuel 260 g only

**SIZE**  
12,4 x 8,4 x 2,2 cm  
(4,88 x 3,31 x 0,87 inch)

**SETTINGS**  
3 settings, foldable  
(30°, 60°, 90°)

**FUEL**  
3 bars of 3 fuel tablets (total 9 x 14 g)  
blister-packed,  
burning time approx.  
12 minutes per tablet

**BOX**  
2-coloured carton box.  
English language

**ART. NO.:** 002 095 00

### REFILLS

9 x 14 g

**ART. NO.:** 001 130 00



Cooker optional  
with outer box



### KEY



Lightweight



Water-resistant



Burning time  
approx. minutes  
per tablet



Compact



Printable  
blister pack



NATO-  
approved

**Esbit®**



## FOLDABLE COOKERS INCL. FUEL TABLETS

### LARGE



blister-packed, perforated

12 x 14 g

Art. No.: 002 890 00



### FOLDABLE COOKER - LARGE INCL. FUEL TABLETS

**MATERIAL**  
galvanized steel

**WEIGHT**  
incl. fuel 360 g only

**SIZE**  
13 x 9,5 x 3,9 cm  
(5,12 x 3,74 x 1,54 inch)

**SETTINGS**  
3 settings, foldable  
(30°, 60°, 90°)

**FUEL**  
4 bars of 3 fuel tablets (total 12 x 14 g)  
blister-packed, perforated,  
burning time approx.  
12 minutes per tablet

**BOX**  
3-coloured carton box.  
Multilingual: English, French, German

**ART. NO.:** 002 890 00

**REFILLS**  
12 x 14 g  
**ART. NO.:** 001 012 00

Cooker optional  
with outer box



### KEY



Lightweight



Water-resistant



Burning time  
approx. minutes  
per tablet



Compact



Printable  
blister pack



NATO-  
approved

# Esbit®



6 x 14 g



6 x 14 g

Art. No.: 001 121 00

**FUEL PACK 6 x 14 g**

**CONTENT**

2 bars of 3 fuel tablets blister-packed, burning time approx. 12 minutes per tablet

**BOX**

3-coloured carton box. Multilingual: English, French, German

ART. NO.: 001 121 00

9 x 14 g



9 x 14 g

Art. No.: 001 130 00

**FUEL PACK 9 x 14 g**

**CONTENT**

3 bars of 3 fuel tablets blister-packed, burning time approx. 12 minutes per tablet

**BOX**

2-coloured carton box. English language

ART. NO.: 001 130 00

12 x 14 g



12 x 14 g

Art. No.: 001 012 00

**FUEL PACK 12 x 14 g**

**CONTENT**

4 bars of 3 fuel tablets blister-packed, perforated burning time approx. 12 minutes per tablet

**BOX**

3-coloured carton box. Multilingual: English, French, German

ART. NO.: 001 012 00

20 x 4 g



20 x 4 g

Art. No.: 001 020 00

**FUEL PACK 20 x 4 g**

**CONTENT**

20 fuel tablets, burning time approx. 5 minutes per tablet

**BOX**

3-coloured carton box. Multilingual: English, French, German

ART. NO.: 001 020 00

KEY



Lightweight



Water-resistant



Burning time approx. minutes per tablet



Compact



Printable blister pack



NATO-approved



3 x 8 g



3 x 8 g

Art. No.: 001 008 00

**SINGLE FUEL BAR 3 x 8 g**

**CONTENT**

3 fuel tablets  
blister-packed, perforated

ART. NO.: 001 008 00



3 x 10 g



3 x 10 g

Art. No.: 001 010 00

**SINGLE FUEL BAR 3 x 10 g**

**CONTENT**

3 fuel tablets  
blister-packed, perforated

ART. NO.: 001 010 00



3 x 12 g



3 x 12 g

Art. No.: 001 016 00

**SINGLE FUEL BAR 3 x 12 g**

**CONTENT**

3 fuel tablets  
blister-packed, perforated

ART. NO.: 001 016 00



solid fuel tablets  
with water-resistant  
blister-pack.



Water-resistant



Printable blister pack

**KEY**



Lightweight



Water-resistant



Burning time  
approx. minutes  
per tablet



Compact



Printable  
blister pack



NATO-  
approved



3 x 14 g



**SINGLE FUEL BAR 3 x 14 g**

**CONTENT**  
3 fuel tablets  
blister-packed, perforated

**ART. NO.:** 001 128 00



3 x 14 g



**SINGLE FUEL BAR 3 x 14 g**

**CONTENT**  
3 fuel tablets  
blister-packed

**ART. NO.:** 001 127 00

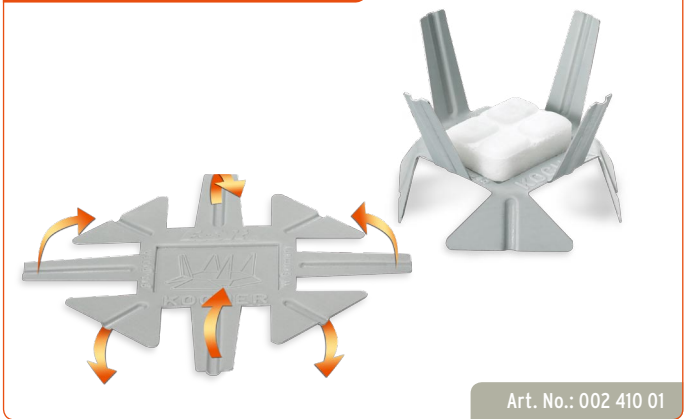


**KEY**





STAR-SHAPED COOKER



STAR-SHAPED COOKER  
PLIABLE - MULTIPLE USE -

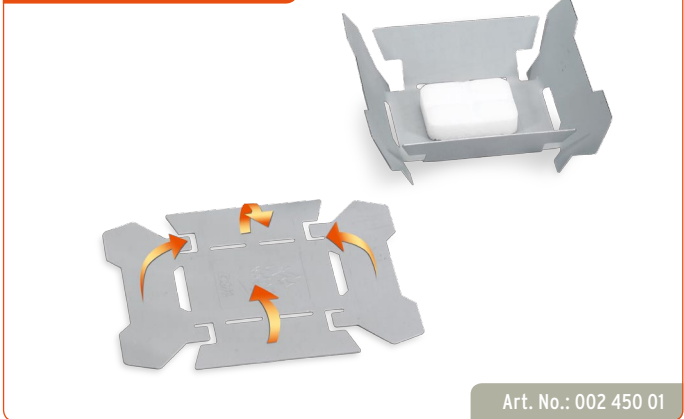
**MATERIAL**  
galvanized steel

**SIZE FLAT**  
8,5 x 8,5 cm  
(3,35 x 3,35 inch)

**ART. NO.:** 002 410 01

Art. No.: 002 410 01

COOKER PLIABLE



COOKER PLIABLE  
- MULTIPLE USE -

**MATERIAL**  
galvanized steel

**SIZE FLAT**  
11,5 x 8,8 cm  
(4,53 x 3,46 inch)

**ART. NO.:** 002 450 01

Art. No.: 002 450 01

KEY



Lightweight



Water-resistant



Burning time  
approx. minutes  
per tablet



Compact



Printable  
blister pack



NATO-  
approved